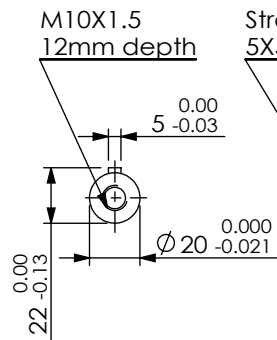
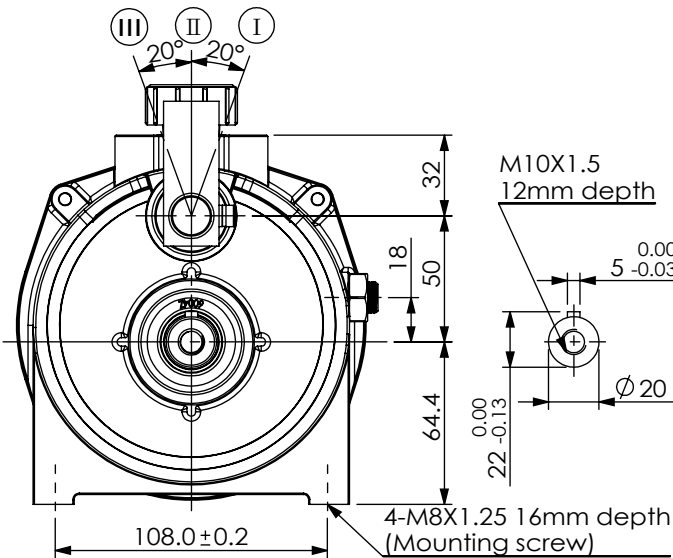
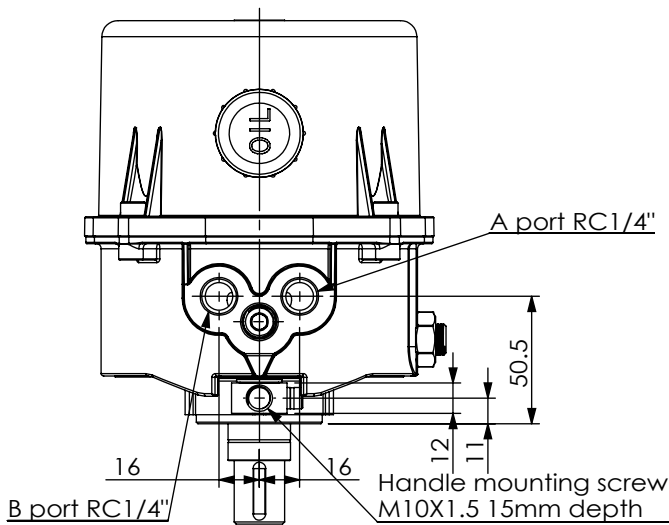
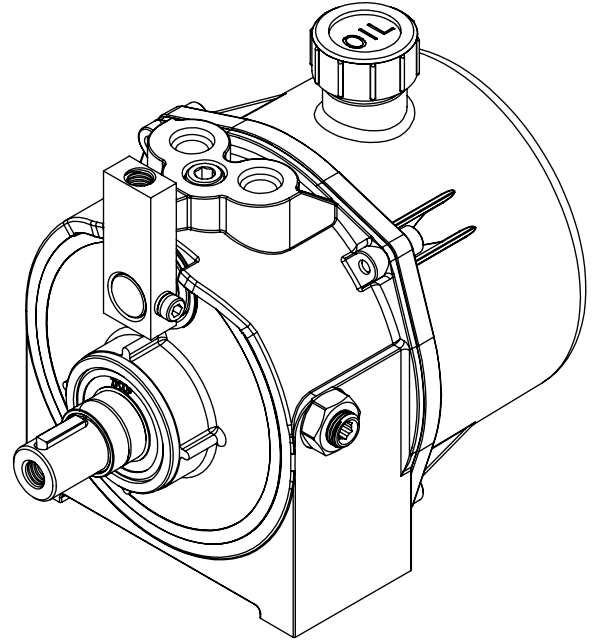
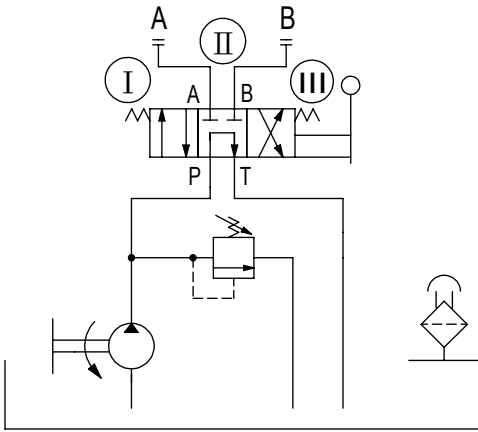


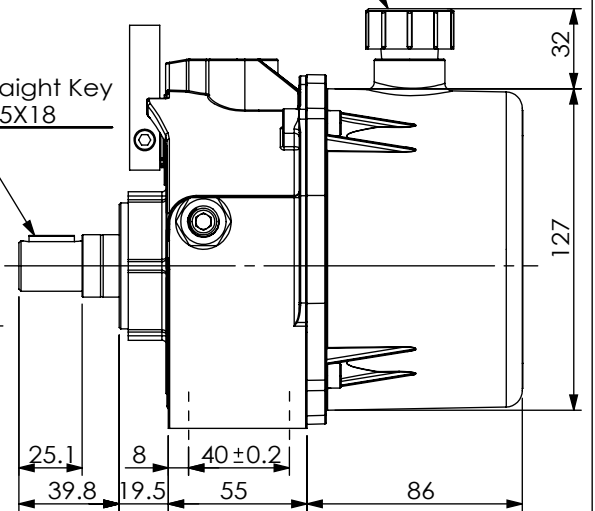
Series	SBT
Type	MC

HYDRAULIC CIRCUIT



Straight Key
5X5X18

Oil inter breather
G 1/2"



The SBT power pack series is designed for use with horizontal influence drive system by various engines. These power packs have been designed mostly for agricultural use, but can be used in other fields.

- ◆ Easy to install and service
- ◆ Save space and cost.
- ◆ High quality and quick delivery

Before the power packs leave our factory they are fully inspected and tested by our QA/QC (ISO 9001) team. If you have any questions or need a custom design, please feel free to contact us.